

PK 24001 K



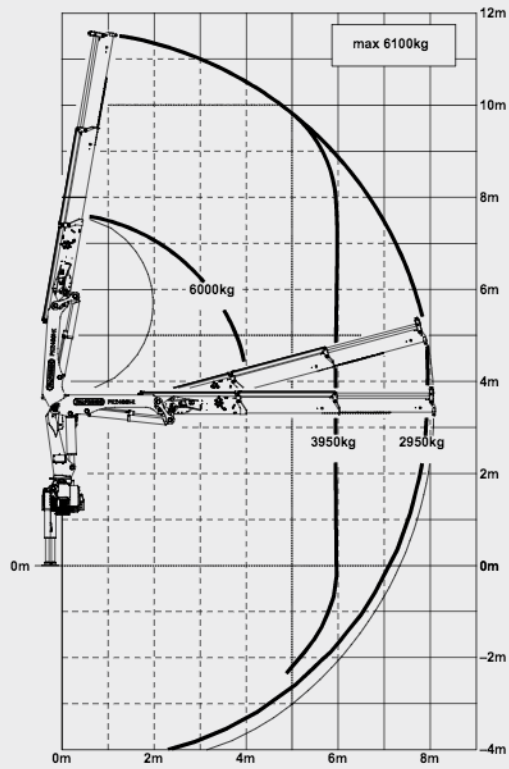
ITS HOOK HEIGHT AT CLOSE RANGE IS AN IMPORTANT CHARACTERISTIC FOR EFFICIENT LOAD HANDLING



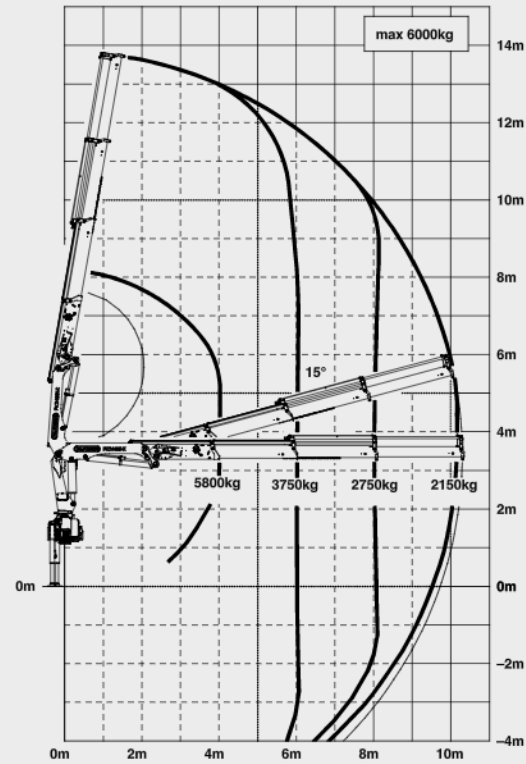
PK 24001 K

HIGH PERFORMANCE

A



B



DIMENSIONS

